



C.A.T.C. NEWS

January 2013

THE CAROLINA ANTIQUE TACKLE COLLECTORS NEWSLETTER

VOL XVI NUMBER 1

President's Message

I hope everyone had a Merry Christmas, survived New Year's eve and is now ready for a great 2013. Our last show of 2012 in Myrtle Beach was another success and I take time to thank all involved, particularly the hosts Gene and Suzann McIntyre, Hack and Sharon Hensley, and TD Norman. Thanks also to the many others that pitched in to help with setup, registration, auctions and fishing tournament. Financially we did well, in that we do not try and make a profit, but want to come as close to break even as we can.

Winners of the Awards at Myrtle Beach were:
Best Lure Display - Bob Dennis - Buck Perry lures
Best Rod/Reel Display - John Walker
Best Historical - Walt Maynard - Trenton Lures (Kentucky)
Best Junior Display - Hannah Gallagher
Best of Show - Elizabeth Yates - Al Foss/True Temper

Winners of the Fishing Tournament:
Big fish (men) - Steve Knier
Big fish (women) - Gail Jenkins
Big fish (youth) - James Vogt
Pictures of these can be seen on the club website thanks to Joe Yates.

We had nearly 150 tables and had 14 states represented. Room trading was active and table sales were at a good pace. Many items were available at the auctions that came in off the street with the crown being a Heddon Collection of Minnows, Punkinseeds, Experts and numerous others including a color collection of Crab Wigglers.

Hack, Sharon and TD were on hand signing up tables for Greenville in April and I understand we're 2/3 sold out so get your reservation in. It's not too early to start thinking about Myrtle Beach in November 2013.

Walt Maynard
President CATC

Memories Are Made Of This

Many of us have childhood memories of fishing with our mom & dad or grandparents. Some of my own very best memories are of fishing with a cane pole with my grandmother on the banks of Lake Seminole. I remember how my grandfather always scared me when he stood up to walk to the front of his john boat on the black waters of the Ocheesee Pond. I can recall the first time a catfish stabbed me in the hand as I fished for bass as a young

fellow with my dad at the Ham Pond. Strong memories, every one of them.

Memories were made at Myrtle Beach last month as husbands and wives and fathers and sons fished shoulder to shoulder on the pier. Will Knier battled back and forth with his father before Steve finally prevailed as winner of the big fish contest. Bryan Jenkins enjoyed watching his wife Gail as she caught another prize winning fish. My favorite picture from the show is the one below. James Vogt holds a winner as his dad J.T. proudly looks on. Grandfather, and former CATC President, Jim, is standing on the rail behind them.



The picture on the back cover of this issue comes from a fishing story written by Zane Grey in 1909. Grey ended his tale by talking about two kinds of achievement: *There are two kinds of achievement - one which heralds success and fame, and the one that engenders a lasting joy.* I believe he would have chosen the latter. Some of the people on Springmaid pier will look back years from now with lasting joy of what they achieved that day.

-JLY-

Elections at the 2012 Fall Show

Elections for the CATC Board of Directors and Vice President were held at the annual Fall Show in Myrtle Beach. Jack Gallagher was elected to represent South Carolina, Bill Hobein for North Carolina, and Harry Matthews for all other states. Elizabeth Yates was reelected as club Vice President. The terms of office for the Directors and VP will be 2013 and 2014.

The next elections will take place at the Fall Show in 2013, and will be for the CATC President and the Secretary/Treasurer. Contact any Club Officer if you are interested in running or would like to nominate someone as a candidate.

Are Your 2013 CATC Dues Paid?

It's easy to tell whether or not your 2013 dues have been paid. Just look at the area above the mailing label on the outside of this newsletter. If your dues have not been paid there will be a small "\$20 DUE" stamped in red near your name and address. If you see the "\$20 Due" stamp, please send a check for \$20 (made out to CATC) to Steve Barrow, CATC Sec/Treas, P.O. Box 487, Kittrell, NC 27544.

Thanks!

Thanks to Arthur and Karen Edwards for donating a beautiful display case to the CATC as a raffle item for the 2012 Myrtle Beach Show.



Arthur Edwards handcrafts high quality display cases in different sizes and styles. They are well built and look great. Give Arthur a call if you are looking for a way to showcase your collection.

December 1, 2012 CATC Financial Statement

Beginning Balance January 1, 2012...	\$6,124.74
--------------------------------------	------------

Receipts

2012 Spring Show (Notes 1 & 2)	\$2,445.22
2012 Fall Show (Note 1)	\$4,697.00
2013 Spring Show	\$640.00
Dues	\$1,480.00
Newsletter Advertising	\$125.00
CATC Patches	\$10.00
Total Receipts	\$9,397.22

Expenses

Website Fees	\$71.29
Materials & Supplies	\$233.88
Newsletters	\$587.24
Directory	\$346.71
Postage	\$649.00
2013 Spring Show	\$295.80
2012 Spring Show (Note 2)	\$3,713.95
2012 Fall Show	\$5,032.11
Total Expenses	\$10,929.98

Net YTD 2012 Receipts and Expenses **(\$1,532.76)**

Ending Balance December 1, 2012...	\$4,591.98
------------------------------------	------------

Note 1: Show receipts include dues paid with registration.

Note 2: Some show receipts and expenses were booked in 2011.

Carolina Antique Tackle Collectors Officers

Walt Maynard
President

Email: wallypm@aol.com

Elizabeth Yates
Vice-President

Email: ebyates@earthlink.net

Steve Barrow
Secretary / Treasurer

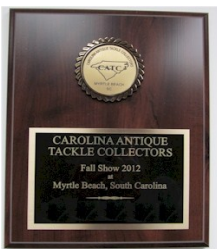
Email: stb647@embarqmail.com

The C.A.T.C. News is published 4 times a year and is the official publication of the Carolina Antique Tackle Collectors. Articles and stories for the newsletter are welcome and should be sent to:

Newsletter Editor

Joe Yates Email: jyates@ix.netcom.com

Scenes From The 4th Annual Myrtle Beach Antique Fishing Tackle Show - November 2012



Award winning displays as voted by attendees at the Myrtle Beach show



Best Historical Display - Walt Maynard



Youth Display - Hannah Gallagher



Best Lure Display - Bob Dennis



Best Reel Display - John Walker



Best of Show - Elizabeth Yates

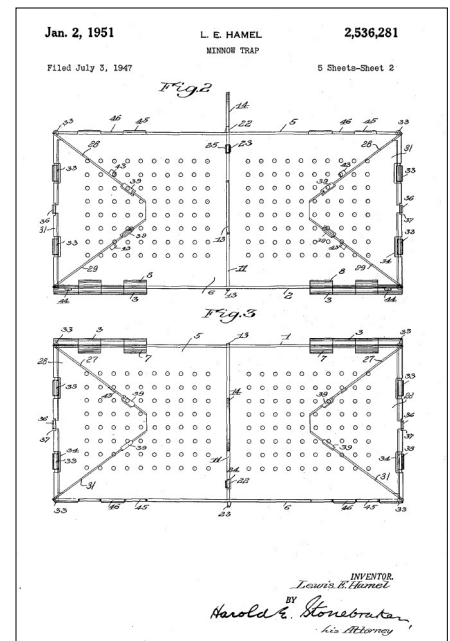
Hamel's Minotrappier—One Thing Leads to Another

By Joe Yates

Elizabeth and I attended the Bouckville, NY antique festival this summer. I spotted a plastic minnow trap in its original box on a fellow's table and called her cell phone to see if she was interested. Liz told me to go ahead and buy it, as the price was quite reasonable and it would go nicely with her collection of 20+ glass minnow traps.

We met up later that day and Liz was delighted when she saw the trap. The box appeared to have some age and the trap itself has a clever design. It easily unfolds into a rectangular box with entrances at either end and will fold small enough to fit inside a tackle box.

Neither of us had ever seen or heard of Hamel's Minotrappier. The plastic handle piece reads "Pat. Pend." and it was easy enough to find the patent for the trap later that evening. Lewis E. Hamel of Rochester, NY applied for a patent on July 3, 1947. In his application Hamel described "a collapsible structure made from plastic material which can be quickly and easily assembled in operative position, and which is foldable into a compact, flat package when not in use." Patent number 2,536,281 was issued on January 2, 1951. Hamel applied for and received a separate patent, number 2,487,869, for the hinge mechanism that joined the plastic sheets of the trap. Both patents were assigned by Hamel to Lewis E. Hamel Company, Inc. of Rochester, NY.

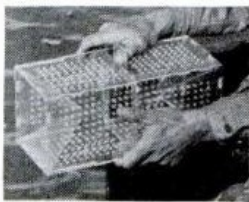


The unfolded Minotrappier is a 6" square rectangular box measuring 13" in length. It has an opening at each end and also has a carrying handle.

We learned that Lewis E. Hamel served in the military reserve at the beginning of World War II. Major Hamel was acting Commander of the Rochester Military District in 1941 before entering active duty. The Rochester Democrat newspaper reported about Hamel's minnow trap on March 30, 1947: "Inventor of collapsible minnow trap and bait boxes is Colonel Lewis Hamel. He got the idea in a dream on the front lines and when he came home he went to work on it. Patents on both gadgets have been applied for and moulds are in the process of manufacture. They are constructed of plastic and fold up so that it can be carried in the smallest tackle box to be found on the market; will not rust and resist corrosion".

Plastic Box Traps Minnows

THE tendency of minnows to "school" is said to make this bait trap particularly effective since one or two will lure others into the transparent box. It folds compactly to fit the tackle box. Lewis E. Hamel Co., Inc., Rochester, N. Y., sells the trap for about \$4.



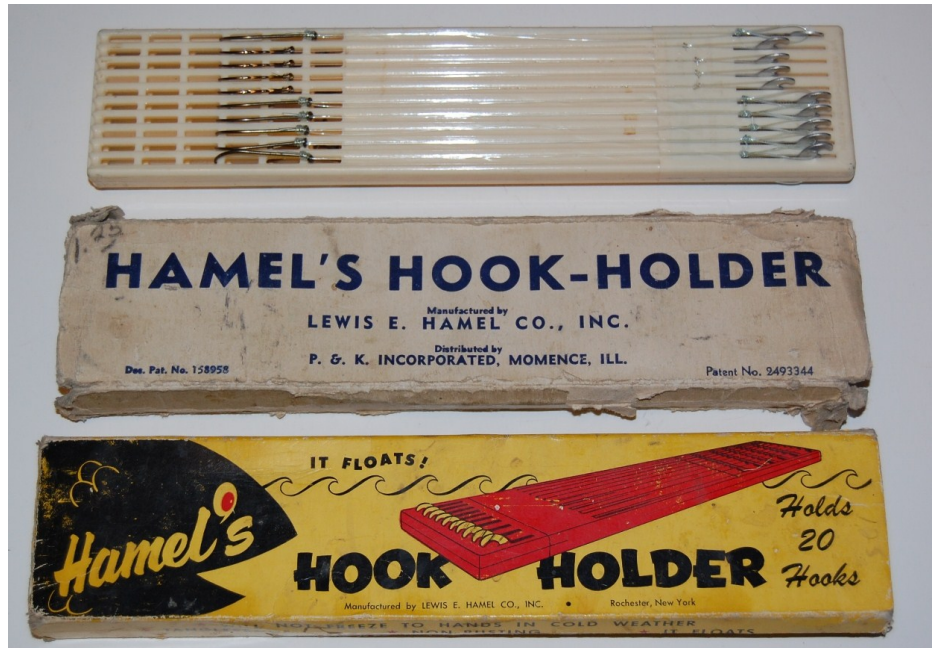
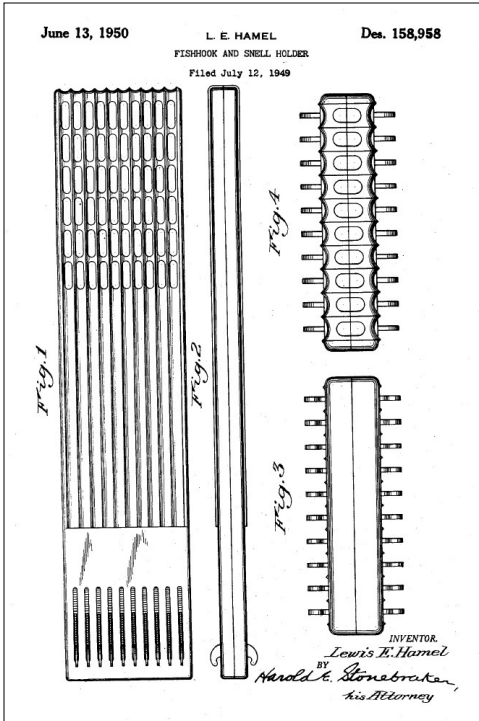
An advertisement for Hamel's Minotrappier appeared in Popular Science Magazine in May 1948.

An advertisement for Hamel's Minotrappier appeared in Popular Science Magazine in May 1948.

(continued on page 5)

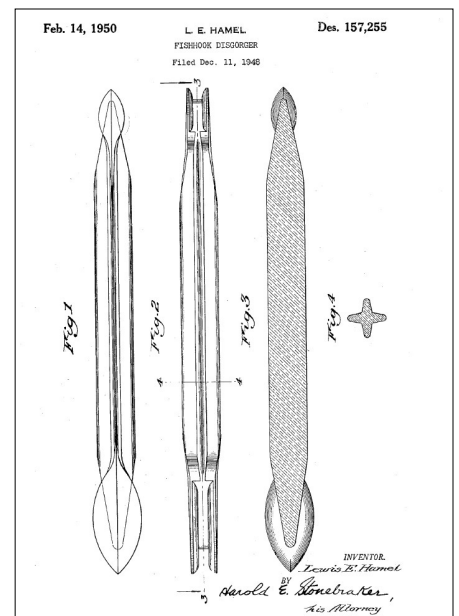
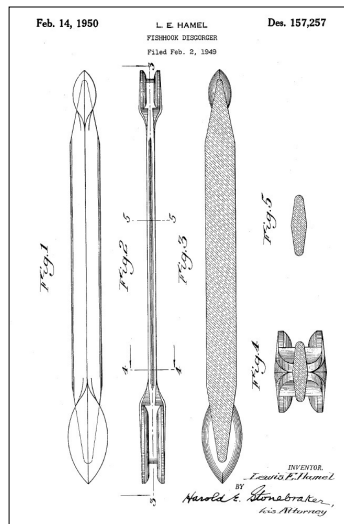
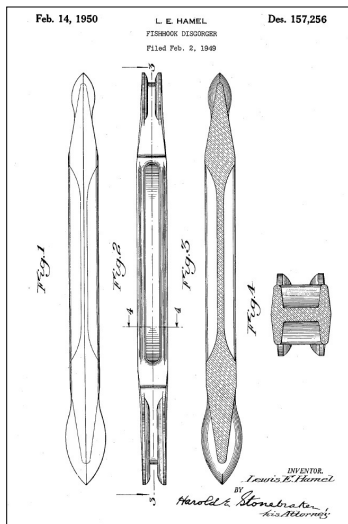
It did not take long to discover that Lewis Hamel was quite the inventor and his company manufactured several other fishing tackle items. As often happens in our household, one thing leads to another and Elizabeth is now a collector of all things Lewis Hamel. Commenting on her "compulsion to acquire more stuff", Liz says "it took a twenty dollar purchase of a folding minnow trap in its box to chart the course of a fresh collection for me".

The best known item manufactured by the Lewis E. Hamel Co. is likely Hamel's Hook-Holder. The plastic device is shown here in two different box styles. Hamel applied for patents on a fishhook and snell holder in 1949. Patent numbers 2,493,244 and Des.158,958 were granted in 1950.

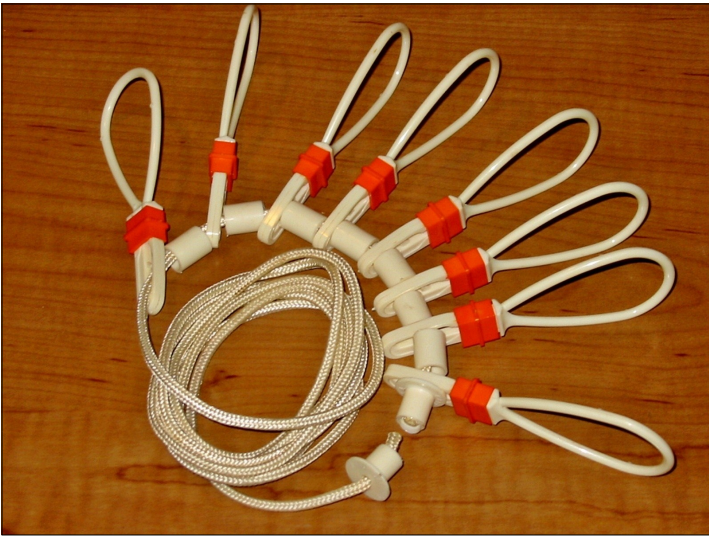


Notice that both boxes indicate that Hamel's Hook-Holder was manufactured by Lewis E. Hamel Co., Inc. and distributed by P&K Inc. of Momence, Illinois. It is not known how that relationship started, but it was maintained for other Hamel manufactured items. It is known that years later Lewis Hamel filed a lawsuit against P&K Incorporated for infringement of both hookholder patents. The lawsuit was filed in US District Court, Eastern District of Illinois in May 1960. Based on evidence of prior patents having been issued to other people for similar designs, the Judge determined that Hamel's work did "... not rise to the level of invention..." He invalidated both of Hamel's patents before deciding that "the court does not reach the question of infringement because neither of plaintiff's patents is valid."

Lewis Hamel also designed a plastic hook disgorger. He is known to have manufactured it, but we have yet to locate one. Hamel applied for three separate design patents for the disgorger from 1948-1949. All three patents were granted on February 14, 1950.

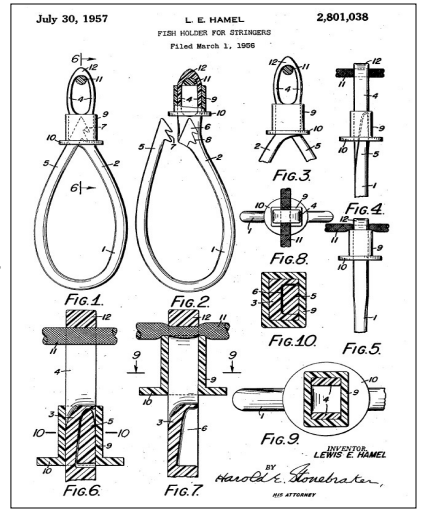


(Continued on page 6)

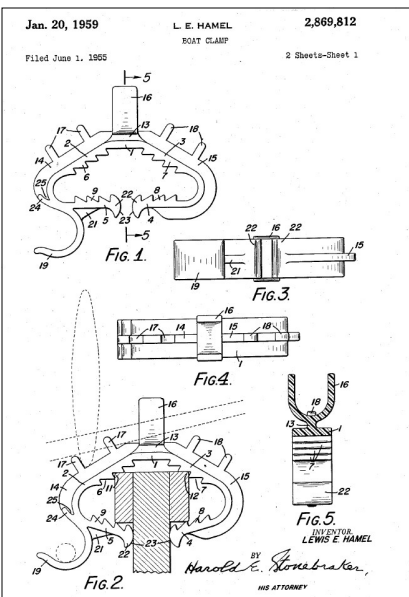
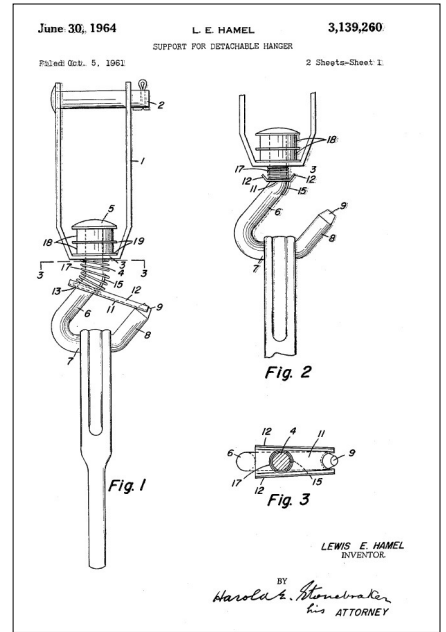
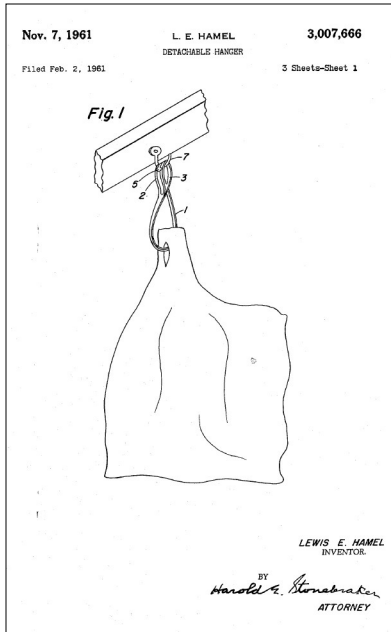
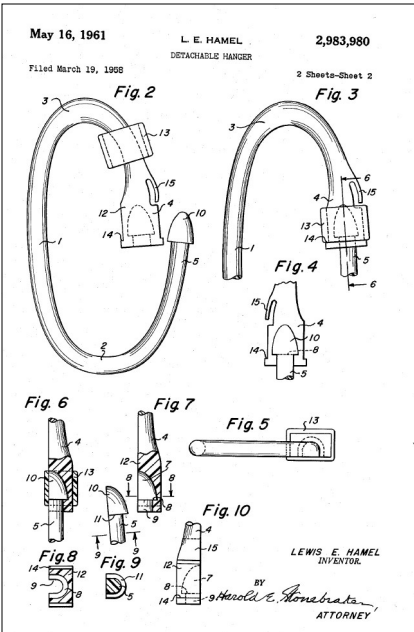


Another Lewis Hamel item is the plastic fish stringer seen here. It is stamped with patent number 2,801,038, which Hamel received in 1957.

Hamel employed concepts from the fish holder design in several non-fishing patents in the early 1960's. The three shown here are for detachable hanger and supports



for "supporting sides of beef and other relatively heavy loads to which the hanger can be readily attached and which can be suspended from any conventional metal support." It is not know whether any of these hangers were ever manufactured by Hamel.



The only other fishing item known to have been made by Hamel is the plastic boat clamp seen here. Lewis Hamel applied for a patent on the clamp in 1955 and it was granted in 1959. It is designed to hold rods, oars, gaff, boating hook, or landing net to the side of a boat. Like the fishhook holder, the boat clamp was manufactured by Hamel and distributed by P&K Incorporated.

Elizabeth has not yet been able to find one of these for her collection. Perhaps one will turn up in the fields of Bouckville next summer. One thing leads to another.....



From the Dennis McNulty collection



**Sponsored by the
Carolina Antique
Tackle Collectors**



**CATC Spring Show
Greenville, South Carolina
April 26-28, 2013**

SHOW LOCATION:

Crowne Plaza Hotel
Greenville I-385 at Roper Mtn Road
851 Congaree Road
Greenville, SC 29607
Front Desk Phone: (864) 297-6300
Hotel Web Site:
<http://www.crowneplaza.com/gsp-ropermt>

Room Rates:
\$85.00 per Night

You must make reservations before March 26 to get this rate. Rates for reservations made after this date are subject to change. 24hour cancellation notice is required or you will be charged for one night. Identify yourself as CATC Member when making reservations

Hotel Amenities:

Fitness Center, Heated Indoor Pool, WiFi, Fine Dining, Lounge, Hotel Shops, Business Services
The hotel has been recently renovated and is very nice.

Contact our show hosts for more information:

Hack & Sharon Hensley
Email: ctyhjy@gmail.com
Hack Cell (864)380-3129
Sharon Cell (864) 704-8371

T.D. Norman
Phone (864) 230-9058

SHOW TIMES & EVENTS:

Friday April 26

10am Set Up Begins

Saturday April 27

8am-6pm Open To CATC Members

9am-4pm Open to public

Sunday April 28

9am Show Opens

1pm Show Closes

CATC Spring 2013 Antique Fishing Tackle Show - Greenville, South Carolina - April 26-28, 2013

Name: _____

Address: _____

Phone #: (____) _____ Email: _____

Total tables:

_____ (fill in #) 6' Aisle Tables @ \$15.00 each \$ _____

_____ (fill in #) 6' Wall Tables @ \$20.00 each \$ _____

Show Registration: \$ 10.00

CATC Dues (\$20 if payable) \$ _____

Total amount enclosed: \$ _____

Mail this portion & payment to:

Hack Hensley
310 Hawkins Creek Road
Greenville, SC 29609

Make all checks to "CATC"

You must be a CATC member to have a table or register for the show. Annual CATC dues are \$20.

Upcoming Shows of Regional Interest

January 11-12, 2013
NFLCC Region 3 Winterfest
Pigeon Forge, Tennessee

January 18-19, 2013
2nd Annual FATC Room Trading Show
Palatka, Florida

March 1-3, 2013
The Florida International Tackle Show
Daytona Beach, Florida

April 26-28, 2013
CATC Spring Show
Greenville, South Carolina



Photo from *In Defense of Live Bait* by Zane Grey
Field and Stream - June 1909



The CATC News Editor
6807 Castlegate Drive
Charlotte, NC 28226

